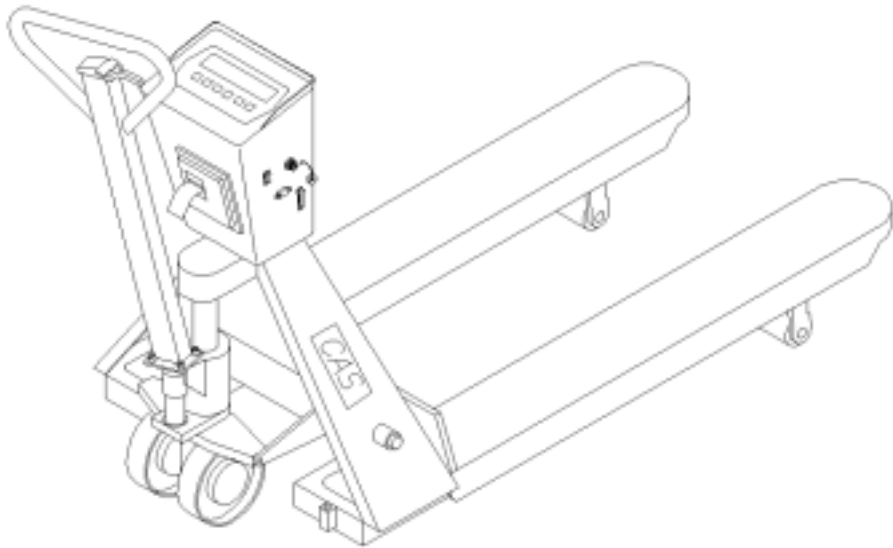


PALLET SCALE

CPS SERIES

OWNER'S MANUAL



CAS

Table of Contents

1. PREFACE	3
2. OVERALL VIEW	4
3. SPECIFICATIONS	5
4. DIMENSIONS	5
5. FRONT PANEL	6
6. RS-232C (OPTION)	8
7. OPERATIONS	10
8. HOW TO CHARGE	12
9. TEST MODE	13
10. SET MODE	14
11. ERROR MESSAGE AND TROUBLE SHOOTING	19

This is a “Table of Contents preview” for quality assurance

The full manual can be purchased from our store:

[https://the-checkout-tech.com/manuals/CAS/CPS-1 CPS-2 owners manual.html](https://the-checkout-tech.com/manuals/CAS/CPS-1%20CPS-2%20owners%20manual.html)

And our free Online Keysheet maker:

<https://the-checkout-tech.com/Cash-Register-Keysheet-Creator/>

[HTTPS://THE-CHECKOUT-TECH.COM](https://THE-CHECKOUT-TECH.COM)